

# LATTY<sup>®</sup> *seal* B18

## THE SEAL FOR HARSH ENVIRONMENTS

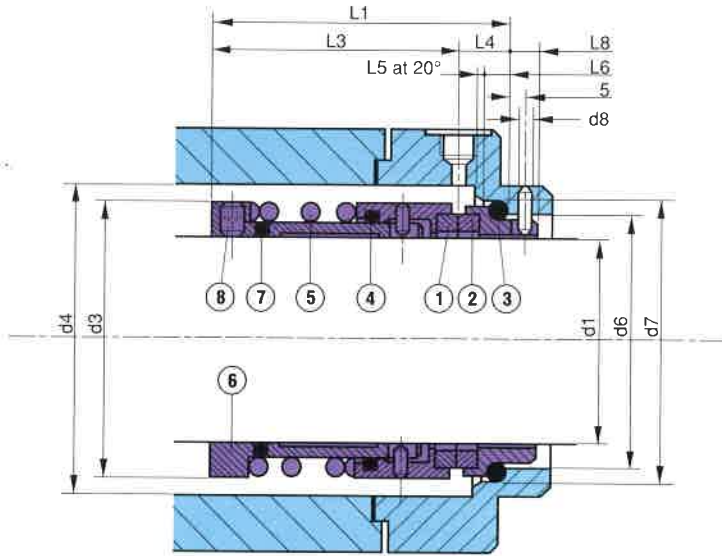


### robust, reliable and simple

Operating parameters	Main applications
Shaft diameters: 18 to 150 mm Pressure: 25 bar Temperature: -20 °C to +180 °C Speed: 20 m/s	Heavy industry pumps (sugar, paper, steel, etc.) Abrasive and corrosive slurries of all kinds (with appropriate choice of seal faces)

Pressure - Speed - Temperature are not associated

# LATTY<sup>®</sup>seal B18



## STANDARD DESIGN

Rep.	Designation	Material	Code LI	Face holder
1	Shrunk fit Rotary face	Silicon carbide	U3	Steel 329
		Tungsten carbide	U1	Steel 329
		Carbon	B	Steel 316 L
2	Shrunk fit Stationary face	Silicon carbide	U3	Steel 329
		Tungsten carbide	U1	Steel 329
3	O-ring	Viton	V	
4	O-ring	Viton	V	
5	Spring	Steel 316 Ti	G2	
6	Sleeve	Steel 316 L	G1	
7	O-ring	Viton	V	
8	Locking Screw	Steel 316 L	G1	

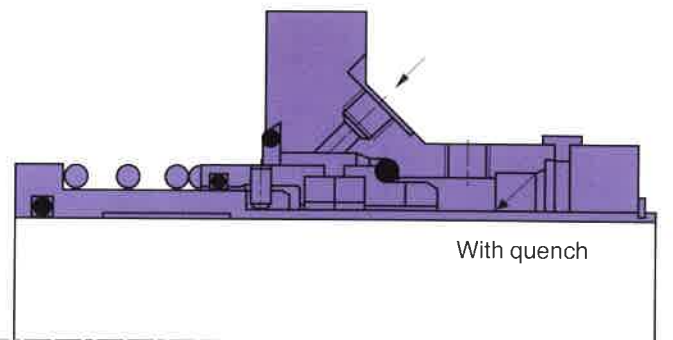
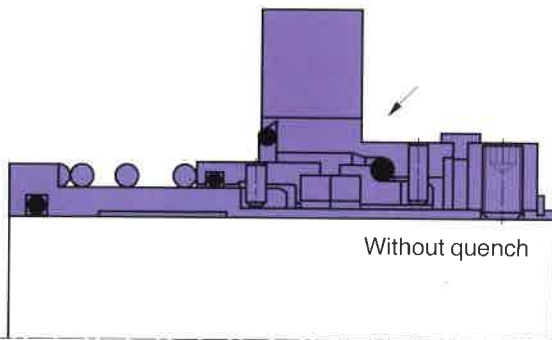
## SPECIAL DESIGNS ON REQUEST

- Factory pre-set cartridge seal
- Torque transmission shrink disk
- Metal impregnated carbon rotary
- Stationary face with double shoulder
- O-rings of Viton enveloped in PTFE

- Cartridge seal with Quench
- Metal parts in Hastelloy C, Inconel
- Spring Inconel 600
- O-rings EP, nitrile
- O-rings KALREZ, CHEMRAZ

Viton, KALREZ, CHEMRAZ, Hastelloy, Inconel are registered names.

## FACTORY PRE-SET CARTRIDGE SEAL



We strongly recommend that the flush port provided be connected to ensure a fluid circulation at the seal faces.

The information given in this document is for guidance only and does not commit LATTY international in any way. LATTY international does not warrant the performance of its products, unless properly fitted and used in accordance with the instructions, nor can accept any claim for consequential liability.